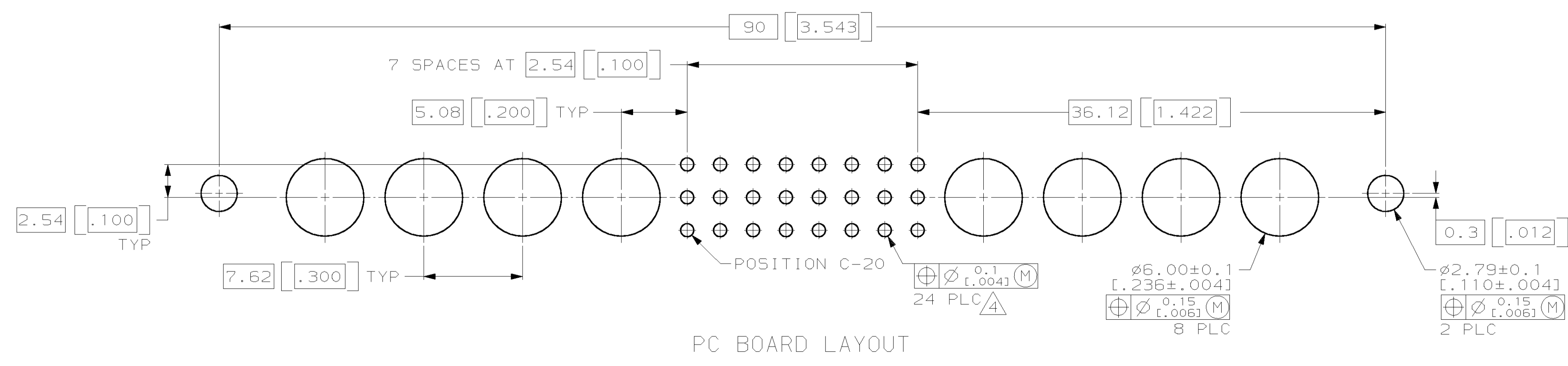
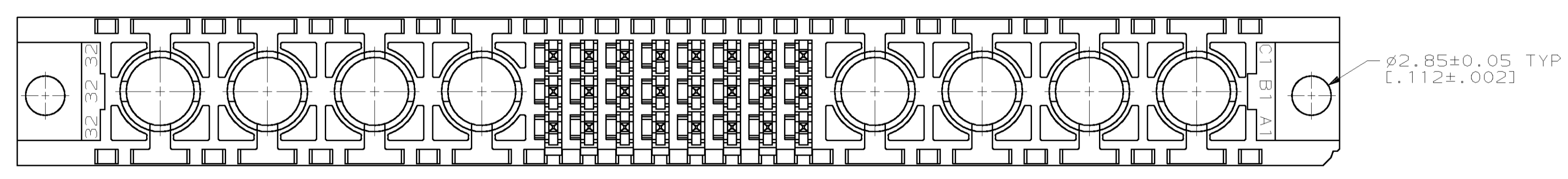
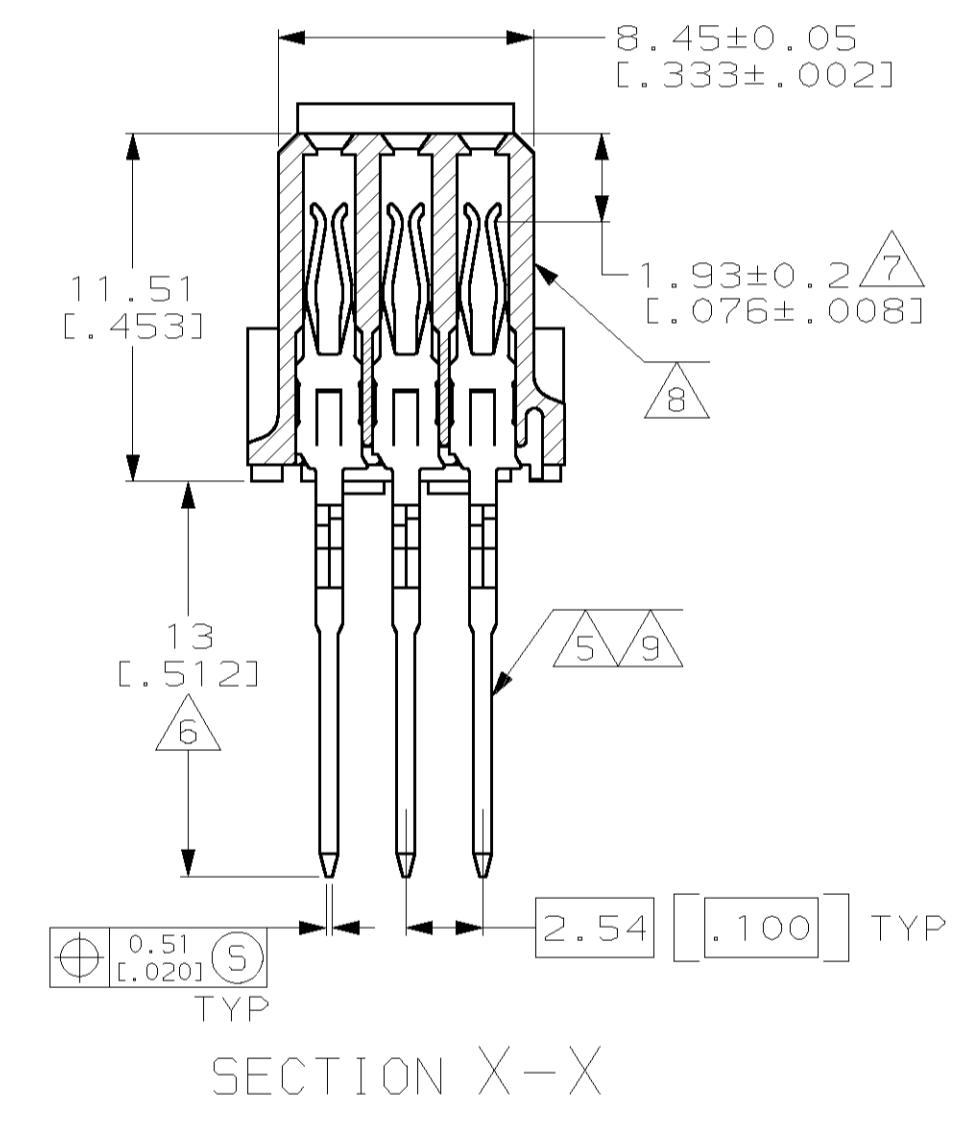
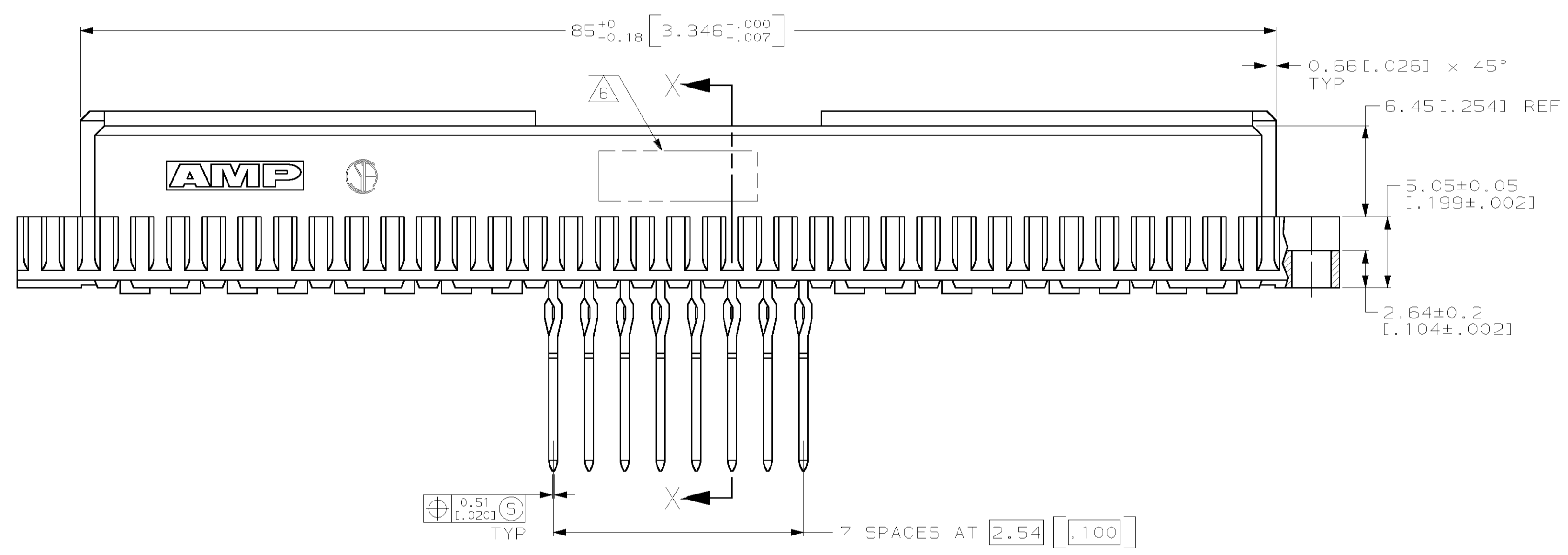
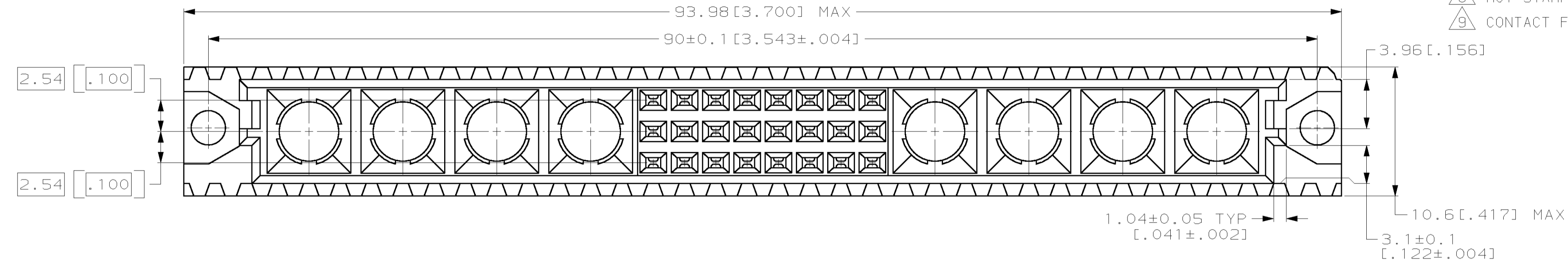


LOC	DIST	REVISIONS						
AD	25	REV	PER	EC	DATE	OWN	APPR	
		A	REV	PER	EC	06 APR 99	BC	CR
		B	REV	PER	EC	05SEPT03	JM	AS

- 1 HOUSING MATERIAL: GLASS-FILLED POLYESTER. COLOR: GRAY.
- 2 CONTACT MATERIAL: PHOSPHOR BRONZE.
- 3 PART NUMBER AND DATE CODE HOT STAMPED IN THIS APPROXIMATE AREA.
- 4 ACTION PIN POSTS REQUIRE 1.57[.062] MINIMUM THICK PC BOARD. RECOMMENDED PC BOARD DRILLED HOLES ARE $\phi 1.151 \pm 0.025$ [0.453 ± .001] WITH 0.02-0.08 [0.01-.003] COPPER AND 0.008 [0.0003] MINIMUM TIN-LEAD PLATING. FINISHED HOLES AFTER PLATING $\phi 1.02 \pm 0.08$ [0.40 ± .002].
- 5 CONTACT FINISH: DIN 41612 CLASS 2 IN CONTACT AREA. TIN-LEAD PLATE ON POSTS.
- 6 TAIL LENGTH AFTER SEATED IN PC BOARD.
- 7 CONTACT POINT AFTER SEATED IN PC BOARD.
- 8 HOT STAMPING ON THIS SIDE.
- 9 CONTACT FINISH: DIN 41612 CLASS 2 IN CONTACT AREA AND LAST 5.08 [2.00] OF POST.



OBSELETE 1-148427-5
148427-5
PART NUMBER

THIS DRAWING IS A CONTROLLED DOCUMENT.		DWN L. BRINER 10/1/97	AMP AMP Incorporated Harrisburg, PA 17105-3608
DIMENSIONS: mm		CHK R. PATTERSON 10/1/97	
TOLERANCES UNLESS OTHERWISE SPECIFIED:		APP'D R. PATTERSON 10/1/97	NAME: RECEPTACLE ASSEMBLY, EUROCARD, TYPE M, 24 + 8 POSITION
0 PLC ±	1 PLC ±	PRODUCT SPEC	SIZE: A1
2 PLC ±0.13 [0.005]	3 PLC ±	APPLICATION SPEC	CAGE CODE: 148427
4 PLC ±	ANGLES ±	WEIGHT: -	DRAWING NO: 148427
MATERIAL: HOUSING: 1, POST: 2	FINISH: -	CUSTOMER DRAWING	SCALE: 4:1 SHEET 1 OF 1 REV B